

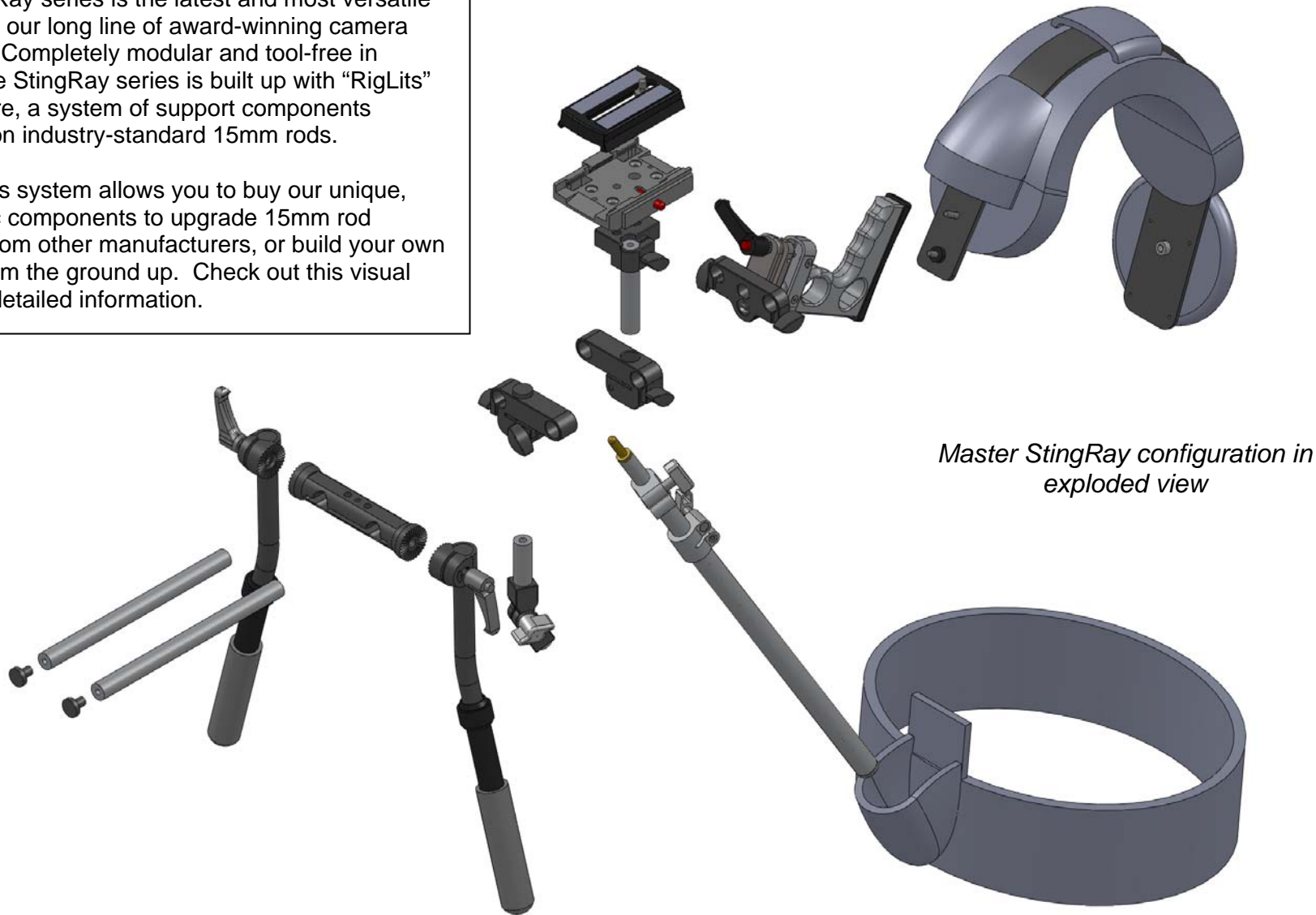
StingRay Series Visual Guide

Covering RigLits and StingShot-Stinger-StingRay Configurations

VariZoom
www.varizoom.com

The StingRay series is the latest and most versatile addition to our long line of award-winning camera supports. Completely modular and tool-free in design, the StingRay series is built up with “RigLits” architecture, a system of support components mounted on industry-standard 15mm rods.

The RigLits system allows you to buy our unique, ergonomic components to upgrade 15mm rod systems from other manufacturers, or build your own system from the ground up. Check out this visual guide for detailed information.



Master StingRay configuration in exploded view

Note: Levers and knobs on actual unit may differ slightly from those shown in this manual



StingRay



Stinger III



Stinger



Stinger II



StingShot

The StingRay series modular support is designed with several attributes in mind: flexibility, compatibility, portability, and reliability. Based on standard 15mm rods, the StingRay series builds up using the RigLits system, which allows you to buy components (RigLits) incrementally to configure own support or add our components to another manufacturer's 15mm rod-based system.

There are 5 recommended configurations, all of which are available with the master StingRay system. In other words, if you buy the VZ-StingRay, you can configure it into at least 5 setups (each shown on the previous page), and the entire system breaks down neatly for compact storage and transport without the use of any tools. The StingShot and Stinger I, II, & III are each capable of fewer configurations than the master StingRay, but each system can be purchased as a turnkey product and upgraded through the purchase of **RigLits (below):**



VZ-R1000 – Quick-Release Camera Platform + Rod Clamp



VZ-R1001 – Belt/Holster + Suspension Pod + Articulated Pod Socket + Rod Clamp



VZ-R1002 – Dual Handle System (telescoping & adjustable)



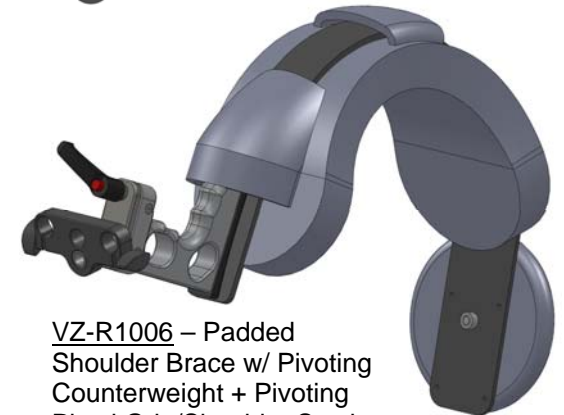
VZ-R1003 – Pair 15mm x 8" Rods



VZ-R1004 – Pivoting Pistol Grip/Shoulder Stock with Rod Clamp



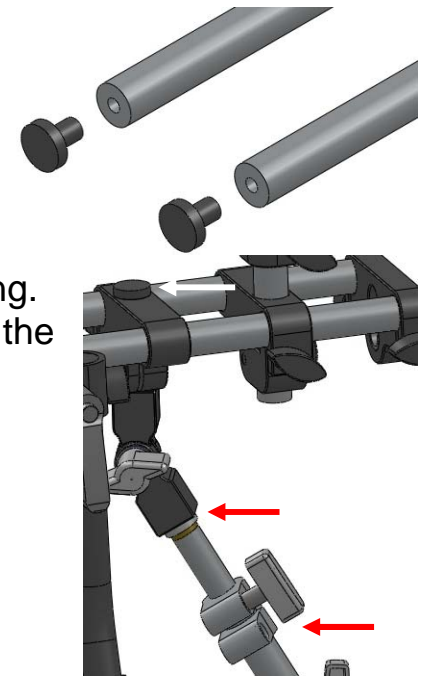
VZ-R1005 – Padded Shoulder Arch Brace w/ Pivoting Counterweight



VZ-R1006 – Padded Shoulder Brace w/ Pivoting Counterweight + Pivoting Pistol Grip/Shoulder Stock

WARNINGS:

- 1) Always tighten all locking knobs and attach rod endcap screws before operating the unit – failure to do so could result in accidental separation of components and damage to your camera.
- 2) Always tighten the locking knobs on the suspension pod when storing and handling. Only unlock the knobs when the suspension pod has been properly mounted into the belt holster and the articulated socket on the fully assembled StingRay/Stinger camera support. Also make sure the endcap screw is attached to the short mounting rod on the articulated socket.



Setup and Configuration

The RigLit system allows for great flexibility in how your support can be configured and adjusted. We recommend using the systems in one of the 5 configurations depicted in this manual. You should be able to assemble the system by using this manual as a visual guide.

If you are using one of our RigLits to upgrade a support from another manufacturer, please make sure you continue to adhere to any warnings or special instructions given by the manufacturer.



StingShot Assembly



Stinger Assembly





Stinger II Assembly



Stinger III Assembly



StingRay Assembly



Warranty: 2 years for parts and labor, covering defects in manufacturing or workmanship. Warranty does not cover lost or damaged parts

If you have questions or comments, please feel free to contact us!

www.varizoom.com

512-219-7722

