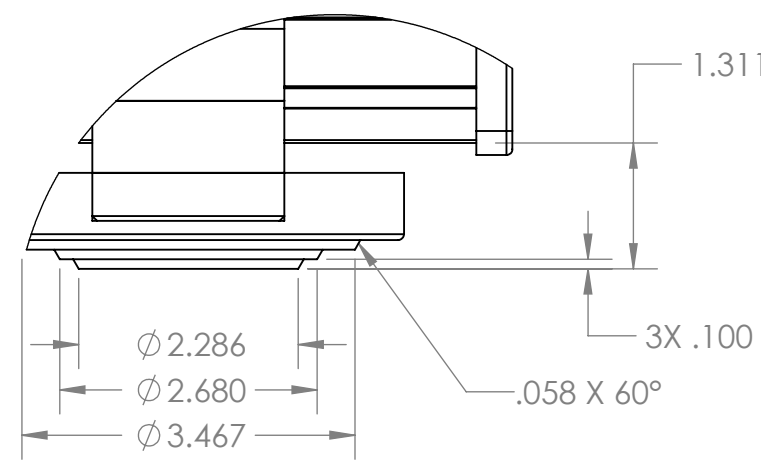
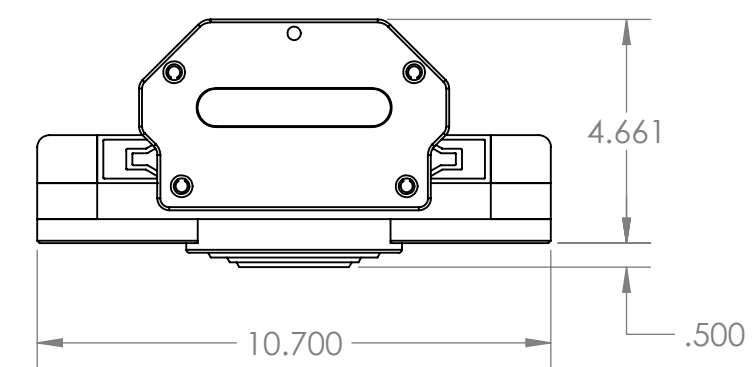
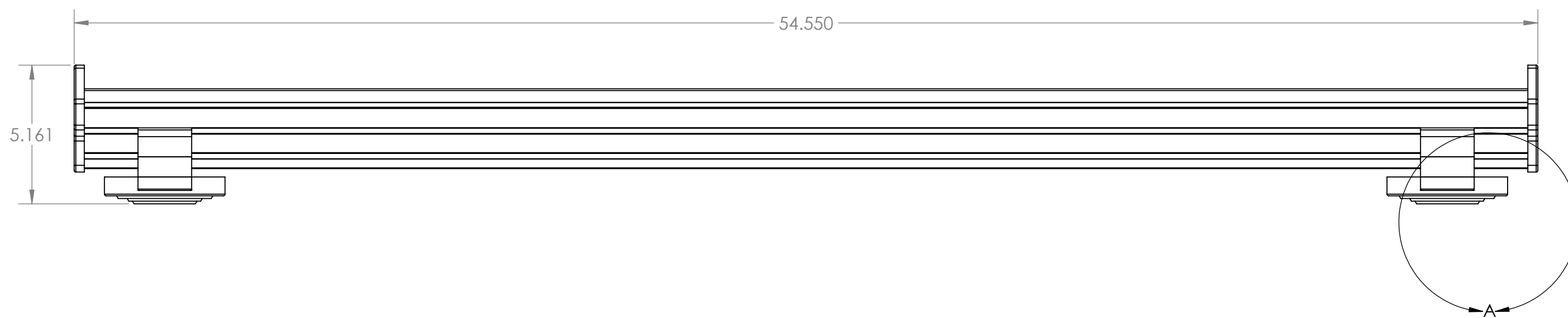
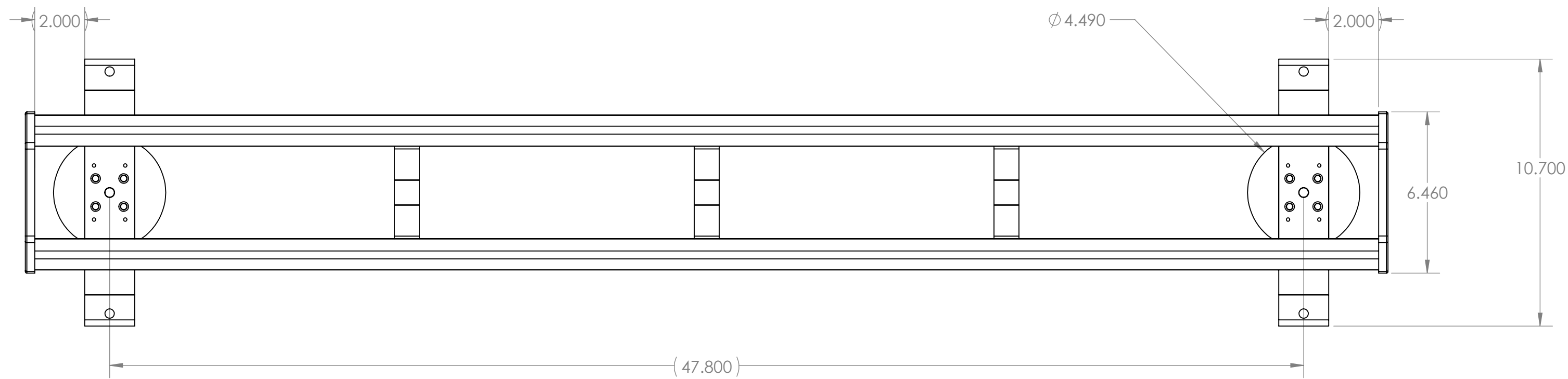
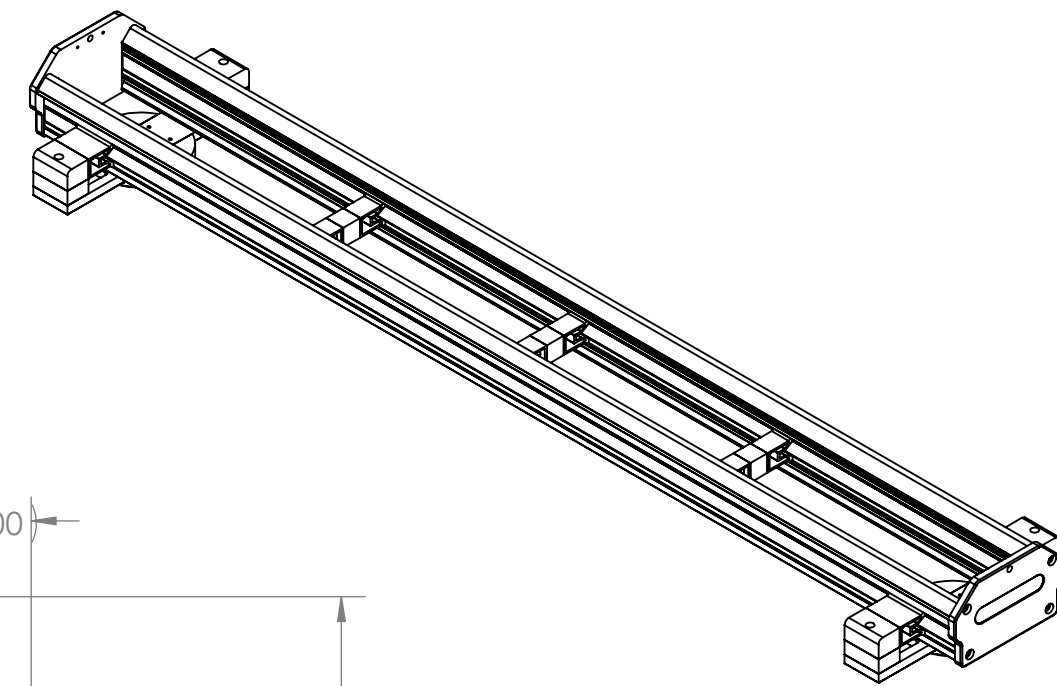


4

3

2

1



NOTES: UNLESS OTHERWISE SPECIFIED  
 -ALL DIMENSIONS ARE IN INCHES  
 -DEBURR ALL SHARP EDGES  
 -INTERPRET GEOMETRIC TOLERANCING PER ASME 14.5-2009  
 -DO NOT SCALE DRAWING  
 -THIRD ANGLE PROJECTION

**PROPRIETARY AND CONFIDENTIAL**  
 THE INFORMATION CONTAINED IN THIS DRAWING IS THE SOLE PROPERTY OF TOM'S WAY INC. ANY REPRODUCTION IN PART OR AS A WHOLE WITHOUT THE WRITTEN PERMISSION OF TOM'S WAY INC IS PROHIBITED.

UNLESS OTHERWISE SPECIFIED:		NAME	DATE
DIMENSIONS ARE IN INCHES		DRAWN	Ivan M. 8/22/2019
TOLERANCES:		CHECKED	Ivan M. 8/22/2019
FRACTIONAL ± 1/16		ENG APPR.	
ANGULAR: MACH ± .01		MFG APPR.	
TWO PLACE DECIMAL ± .03		Q.A.	
THREE PLACE DECIMAL ± .005		COMMENTS:	
INTERPRET GEOMETRIC TOLERANCING PER: ASME 14.5-2009			
MATERIAL			
6061 Aluminum			
FINISH			
Black Anodize			
DO NOT SCALE DRAWING			

<b>VariZoomUSA</b> TITLE: <b>4' VZ Slider</b>		SIZE	DWG. NO.	REV
		<b>C</b>	<b>VZ-Slider-001</b>	
SCALE: 1:8		WEIGHT: 17.46	SHEET 1 OF 1	

4

3

2

1

D

D

C

C

B

B

A

A